

## DS-K1T671TM-3XF Face Recognition Terminal

DS-K1T671TM-3XF face recognition terminal is a kind of access control device integrated with temperature screening function. It can fast taking skin-surface temperature and upload abnormal temperature event to the center, which can be widely applied in multiple scenarios, such as enterprises, stations, dwellings, factories, schools, campus and so on.



### Available Model

DS-K1T671TM-3XF

### Features

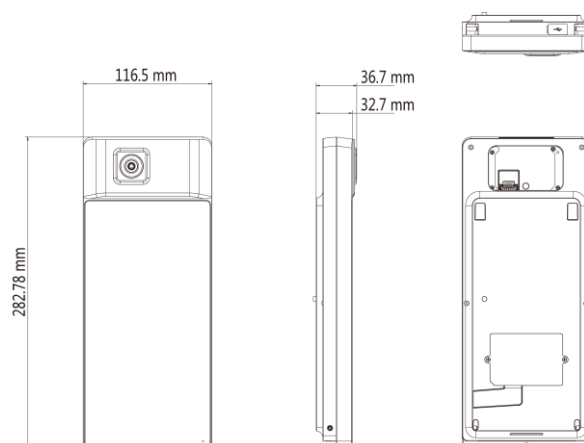
- Supports Vanadium Oxide uncooled sensor to measure target's temperature
  - Temperature measuring range: 30 °C to 45 °C (86 °F to 113 °F), accuracy:  $\pm 0.5$  °C
  - Recognition distance: 0.5 to 1.5 m
  - Fast temperature measurement mode: Detects face and takes temperature without identity authentication
  - Multiple authentication modes are available: card and temperature, face and temperature, card and face and temperature, etc
  - Face mask wearing alert: If the recognizing face does not wear a mask, the device will prompt a voice reminder. At the same time, the authentication or attendance is valid
  - Forced mask wearing alert: If the recognizing face does not wear a mask, the device will prompt a voice reminder. At the same time, the authentication or attendance will be failed
  - Displays temperature measurement results on the authentication page
  - Triggers voice prompt when detecting abnormal temperature
  - Configurable door status (open/close) when detecting abnormal temperature
  - Transmits online and offline temperature information to the client software via TCP/IP communication and saves the data on the client software
  - Face recognition duration  $< 0.2$  s/User; face recognition accuracy rate  $\geq 99\%$
  - 50,000 face capacity, 50,000 card capacity, and 100,000 event capacity
  - Suggested height for face recognition: between 1.4 m and 1.9 m
  - Supports 6 attendance status, including check in, check out, break in, break out, overtime in, overtime out
  - Connects to external access controller or Wiegand card reader via Wiegand protocol
  - Connects to secure door control unit via RS-485 protocol to avoid the door opening when the terminal is destroyed
- \* Biometric recognition products are not 100% applicable to anti-spoofing environments. If you require a higher security level, use multiple authentication modes.**
- \* In order to get an accurate temperature, after the device is powered on, you should wait for 90 min to warm the device up.**



## Specification

Model	DS-K1T671TM-3XF	
Temperature measurement	Temperature range	30 °C to 45 °C (86 °F to 113 °F)
	Sensor	Vanadium Oxide uncooled sensor
	Resolution	120 × 160
	Frame rate	25 fps
	Accuracy	± 0.5 °C, without black body calibration
	Measuring distance	0.5 to 1.5 m
Screen	Size	7-inch
	Type	Touch screen
	Operation method	Touch screen
Camera	Pixel	2 MP
	Lens	Dual-lens
Network	Wired network	Support, 10/100/1000 Mbps self-adaptive
Interface	Network interface	1
	Lock output	1
	Exit button	1
	Door contact input	1
Authentication	Card type	Mifare 1 card
Function	Face anti-spoofing	Support
	Audio prompt	Support
Others	Working temperature	0 °C to 50 °C (32 °F to 122 °F) For temperature measurement: 10 °C to 35 °C (50 °F to 95 °F)
	Working humidity	10 to 90% (No condensing)
	Application environment	Indoor

## Dimension



## Accessory

DS-KAB671-B

